

**ROYAL**  
**PURPLE**<sup>®</sup>  
SYNTHETIC OIL

EXTENDED LIFE  
**SYNTHETIC  
OIL FILTER**

**BUILT SMARTER AND STRONGER  
FOR EXTENDED LIFE AND SUPERIOR PERFORMANCE**

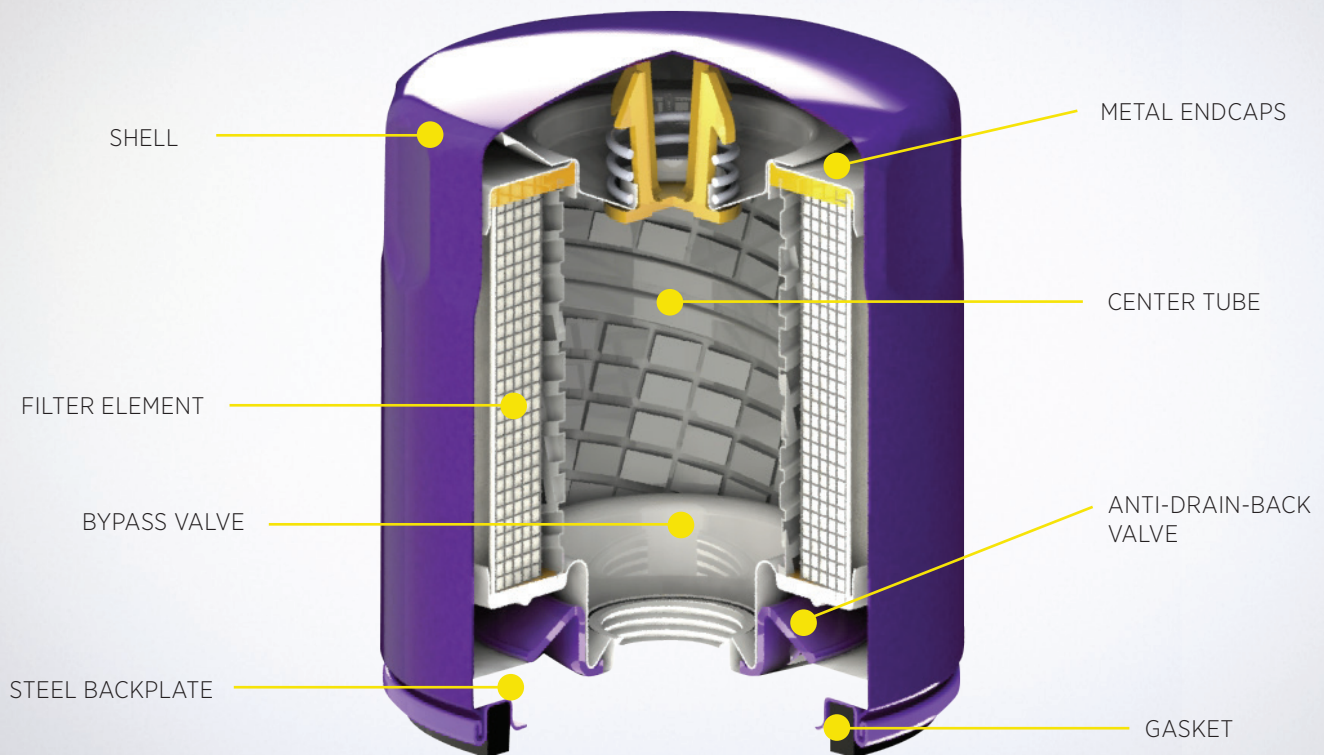
[FILTERS.ROYALPURPLE.COM](https://filters.royalpurple.com)

---

# SUPERIOR CONSTRUCTION

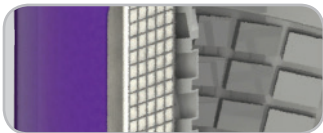
The Royal Purple® extended life synthetic oil filter is designed and engineered to provide maximum engine protection, outstanding performance and an extraordinary filter life. Delivering superior particle removal with optimized flow, Royal Purple® is built smarter and stronger to continuously outperform under the toughest conditions.

## HIGH-PERFORMANCE FEATURES



NOTE: Filter above may not be representative of actual filter content.

## BUILT SMARTER & STRONGER



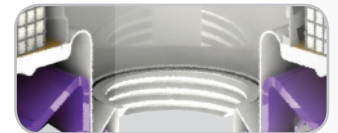
100% synthetic filtration media with steel screen backing provides superior filtration, low restriction to flow and high particulate capacity.



Heavy exterior shell provides extra protection from road debris and punctures. Heavy gauge steel backplate has twice the burst strength of ordinary filters.



Anti-drainback valve limits drain back after shutdown, preventing dry starts. Silicone valve outperforms and outlasts standard nitrile rubber for extreme oil temperatures.



Special bypass valve ensures continued oil flow in situations of excessive filter element flow restriction.

## REMOVES 99% OF CONTAMINANTS

Offering a low restriction to flow and high particulate capacity, the 100% synthetic micro-glass filtration media catches 99% of particles 25 microns and larger, and 80% of particles 10 microns and larger. Available in spin on or cartridge configurations - determined by vehicle need - all Royal Purple® filters offer outstanding particulate capacity and heavy duty construction. By design, Royal Purple® extended life synthetic oil filters deliver cleaner oil and longer filter life.

## FILTERS CATCH

# 99%

particles  
25 microns  
& larger

# 80%

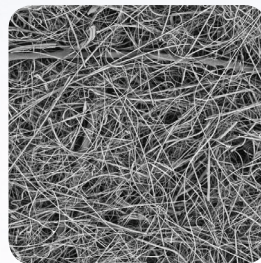
particles  
10 microns  
& larger



## FILTER MEDIA



Magnification of 250x shows conventional cellulose filtration fibers and the spaces allowing larger particles to pass through to the engine.



Magnification of 250x shows how Royal Purple's state-of-the-art synthetic filtration media provides greater filtration efficiency and particulate capacity while minimizing flow restriction.

### Average beta rating based on ISO 4548-12 multi-pass test methods:

- $\beta_{25} = 100$  (at 25 or greater micron, media is 99% efficient.)
- $\beta_{20} = 75$  (at 20 or greater micron, media is 98.7% efficient. Also considered absolute rating.)
- $\beta_{10} = 5$  (at 10 micron or greater, media is 80% efficient.)



Part #	Filter Type	Filter Application
10-2808	Spin-On	Honda (1983-09), Hyundai (1986-19), Isuzu (1984-04), Kia (2001-19), Mazda (1972-91), Mitsubishi (1987-15), Subaru (1992-2017) (Honda 15400-PR3-014, Hyundai 26300-35504; Mitsubishi MD-352626)
10-2835	Spin-On	Chrysler, Dodge (1995-11), Mazda (2011-15) Ford 4 cyl. (2003-19), Toyota (1987-2019), Harley-Davidson Motorcycles (1987-17), Buell Motorcycles (1987-02) (Harley-Davidson 63796-77A) Chrome Filter
10-2840	Spin-On	GEO/Chevrolet Prizm (1989-05), Scion (2004-14), Suzuki (1996-13), Toyota (1988-19)
10-2867	Spin-On	Acura/Honda (2001-17), Infiniti/Nissan (1995-17), Mitsubishi (1992-18), Mazda (1983-02, 09-11), (Nissan 15208-9E000) (Honda 15400-PLM-A02)
10-2876	Spin-On	Subaru (1990-04) (Subaru 15208-AA-021, 15208-AA-020), Hyundai, Kia (1994-10), Infiniti, Nissan (1995-16), Mazda (1990-08, 2011-16), Subaru (2004-15) (Mazda B6Y1-14-302; Subaru 15208-KA010)
10-3244	Spin-On	GM 4 cyl. Cars (2002-17)
10-44	Spin-On	American Motors (1975-85), GM Products (1967-80) (GM 6437462, GM 6437462, 6437994), American Motors, Jeep (1983-86), GM Products (1996-12)
10-454	Spin-On	Chevrolet & GMC V8 7.4L, 8.1L Engines (1999-09)
10-47	Spin-On	GM Products (1975-14), Isuzu (1989-94, 96-03)
10-48	Spin-On	Buick, Cadillac, Chevrolet, GMC (2007-19), Chrysler, Dodge, Jeep (2007-19) (AC PF48; GM 89017524), GM 1.4L, 1.5L & 2.0L (2016-19) (GM 12667194, 12674698) (AC Delco UPF64R), Buick, Cadillac, Chevrolet (2007-19), Chrysler, Dodge, Jeep (2007-19)
10-980	Spin-On	Scion xD 1.8L (2009-14); Toyota Corolla 1.8L (2009-17), Matrix 1.8L (2009-14), Prius (2010-17); Toyota CH-R (2018-19) (Toyota 04152-37010)
20-2009	Spin-On	Jaguar (1997-10), Land Rover (2005-09), Lincoln (2000-06)
20-2129	Spin-On	Cadillac CTS V6 3.6L (2004-15), SRX V6 3.6L (2004-11), STS V6 3.6L (2005-11), Chevrolet Camaro V6 3.6 (2010-15), Oldsmobile (1999-02), Pontiac G8 (2008-09), Saab 93 (2006-10), 95 (2011) (GM 25177917)
20-253	Spin-On	Chrysler, Dodge, Plymouth (1991-09), Jeep/Eagle (1991-08) (Chrysler 5281090)
20-400	Spin-On	Chrysler Products (2002-09), Ford Products (1971-09), Jaguar X Type (2000-08), Mazda 6 (2009-13), CX9 (2007-15)
20-500	Spin-On	Buick, Chevrolet, Cadillac (2011-19) Dodge/Jeep V6 3.7L (2009-12), Ford Products V6 (2009-19)
20-51A	Spin-On	GM Products (1980-05), Isuzu (1997-99)
20-561	Spin-On	Audi (1970-06), Volkswagen (1974-15) (Volkswagen 06A-115-561B)

Part #	Filter Type	Filter Application
20-59	Spin-On	Cadillac (1972-11), GM Trucks (1999-12), Oldsmobile (1995-04), Pontiac (2004-10)
20-8170	Spin-On	BMW 3 & 5 Series (1996-06), Z4 (2003-05) (BMW 11421427908)
20-820	Spin-On	Ford Products (1991-19), Mazda (2000-09), Chrysler, Dodge V6 & V8 (2008-19)
20-967	Spin-On	Toyota V6 3.5L (2005-19), Lexus (2007-19) (Toyota 04152-31090)
20-968	Spin-On	Lexus V6 (2006-19), Toyota (2011-19); (Toyota 04152-31080 (RWD), 04152-31060 (AWD))
30-1218	Spin-On	Chevrolet & GMC Pickups (1962-02), Hummer (1996-04) (AC PF1218; GM 25160561)
30-2999	Spin-On	Chevrolet & GMC Pickups 6.6L Diesel (2001-19) (AC PF2232)
30-8A	Spin-On	Chrysler Products (1959-76), Ford Products (1957-01), Mazda (1991-00), Merkur (1987-89), Toyota (1969-96)
40-2051	Spin-On	Ford Super Duty Pickup 6.7L (2011-19) (Ford BC3Z-6731-A)
40-780	Spin-On	Dodge/Ram Pickup Cummins Diesel Eng. (1989-19) (Cummins 3903964)
40-979	Spin-On	Toyota V8 (2007-19), Lexus V8 (2008-19) (Toyota 04152-38020)
50-2017	Spin-On	Ford 6.0L, 6.4L Turbo Diesel (2003-10) (Ford 3C3Z-6731-AA)
50-2286	Spin-On	Ford Pickup w/Diesel Eng. (1995-03) (Ford F4TZ-6731-A; Motorcraft FL1995)

**NEW PRODUCTS AVAILABLE SEPTEMBER 2019**

10-969	Spin-On	BMW 3 Series (2006-16), 525i, 525xi (2006-07), 528i, 528Xi, 535i (2008-15), X3, X5 (2007-17), X6 (2008-18), Z4 (2006-16) (BMW 11427541827)
10-981	Spin-On	Buick, Chevrolet (2009-19) (GM 19254711, 93185674)
20-1078	Spin-On	Volkswagen Beetle, Passat, Tiguan (2019) 2.0LTurbo (Volkswagen 06L-115-562B)
20-3986	Spin-On	Audi, Volkswagen w/2.0L Turbo DI (2005-15), Audi, Volkswagen 5 cyl. 2.5L (2005-18), Volvo S40, V50 (2004-11), S60 (2012-14), C30, C70 (2005-13), V60 (2015) (Volkswagen 06D-115-562; Volvo 8692305, 8642570)
20-985	Spin-On	Mercedes (2005-14) (Mercedes 0001803109)
30-2062	Spin-On	Ford V6 2.7L (2015-18) (Ford FT4Z-6731-A) (Motorcraft FL2062)
30-610	Spin-On	Audi, VW Jetta 2.0L Turbo (2008-16), Tiguan (2009-15) (Volkswagen 06J-115-403C) Spin-on filter with mounting stud.
30-990	Spin-On	Chrysler, Dodge, Jeep V6 3.6L (2011-13) (Chrysler 68079744AA)
40-1009	Spin-On	Chrysler, Dodge, Jeep and Ram V6 3.6L (2014-19) (Chrysler (69191349AA)



**ROYAL PURPLE® EXTENDED LIFE  
SYNTHETIC OIL FILTERS ARE NOW AVAILABLE  
IN MORE LOCATIONS NEAR YOU!**

**FIND THE FILTER FOR YOUR VEHICLE AT:**  
[royalpurpleconsumer.com/products/royal-purple-oil-filters](http://royalpurpleconsumer.com/products/royal-purple-oil-filters)